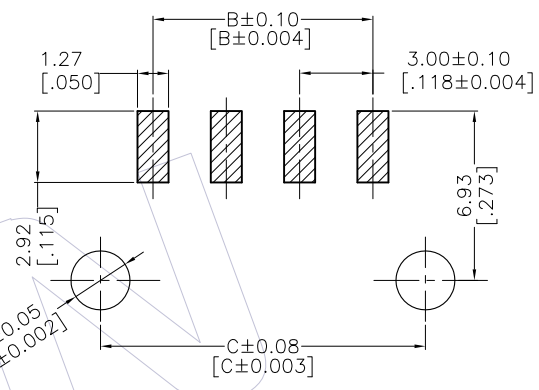
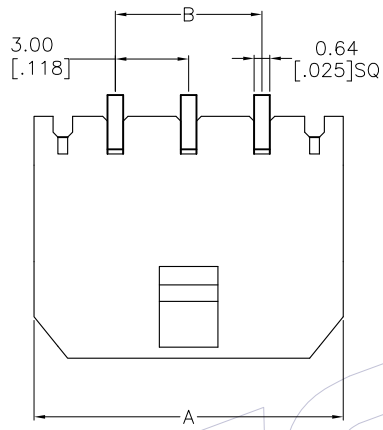


HSF

NOTES:
 Current Rating:5.0A AMP
 Contact Resistance:10milliohm Max
 Withstand Voltage:1000V AC/Minute
 Insulation Resistance:1000Megohm Min
 Operation Temperature:-25°C to +85°C

Housing Material:LCP+30%GF(UL94V-0)
 Contact Material:Copper alloy
 Contact plating:Au/Sn over Ni Plating

RECOMMENDED PCB LAYOUT
 TOLERANCE IS ±0.05



WF3001-1WZXXBX1

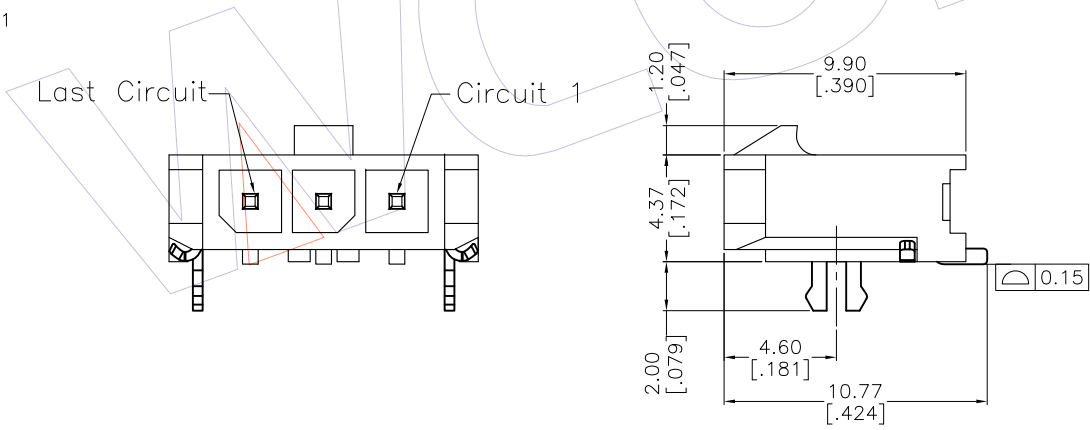
Ordering Information

WF3001-1 WZ XX B X 2

Terminal shape:
 WZ:Wafer 90° SMT

NO.of Pins
 02~12Pin

Packing:
 0=PE Bag
 T=Tube
 A=Tray
 R=Tape&Reel



| Circuit | A | B | C |
|---------|--------------|--------------|--------------|
| 02 | 9.65[0.380] | 3.00[0.118] | 7.30[0.287] |
| 03 | 12.65[0.498] | 6.00[0.236] | 10.30[0.405] |
| 04 | 15.65[0.616] | 9.00[0.355] | 13.30[0.524] |
| 05 | 18.65[0.735] | 12.00[0.473] | 16.30[0.642] |
| 06 | 21.65[0.853] | 15.00[0.591] | 19.30[0.760] |
| 07 | 24.65[0.971] | 18.00[0.709] | 22.30[0.878] |
| 08 | 27.65[1.089] | 21.00[0.827] | 25.30[0.996] |
| 09 | 30.65[1.207] | 24.00[0.945] | 28.30[1.114] |
| 10 | 33.65[1.325] | 27.00[1.063] | 31.30[1.232] |
| 11 | 36.65[1.443] | 30.00[1.181] | 34.30[1.350] |
| 12 | 39.65[1.561] | 33.00[1.299] | 37.30[1.469] |

| REV | DATE | MODIFICATION DESCRIPTION | CHANGE | OPERATION | | DRAW FZY | DATE | SCALE | 1:1 | PART NO. |
|-----|------------|---------------------------------------|--------|-----------|-------|----------|------------|-------|------------|-------------------------------------------|
| | | | | X.X | ±0.40 | | | | | |
| A1 | 2012.05.03 | 料号由WF3001-1WZHXXBX2变更为WF3001-1WZXXBX2 | Atomy | X.XX | ±0.25 | CHECK | 2012.05.03 | UNIT | mm inch | TITLE: |
| A0 | 2011.12.20 | NEW | - | X.XXX | ±0.15 | APPROVE | | SIZE | A4 | 3.0 Wafer Single Row 90° SMT With Clip |
| | | | | Angle | ± 3' | | | SHEET | 1/1 | Customer NO. |
| | | | | DIM | TOL | | | PROJ. | | |

WCON
 Http: www.wcon.com

WCON-Dongguan
 Tel: +86 769 85358920
 Fax: +86 769 85358915
 E-mail: sales@wcon.com

WCON-Kunshan
 Tel: +86 512 57468408
 Fax: +86 512 57468468
 E-mail: sales@wcon.com