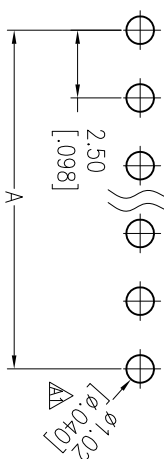
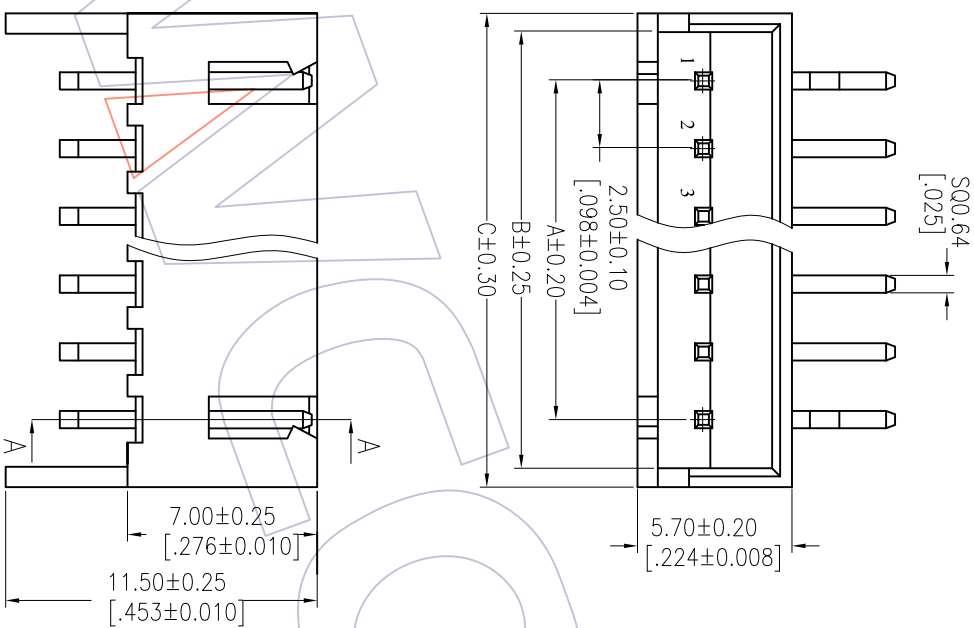


HSF

Recommended P.C.B Layout(Top Side)
(PCB BOARD TOLERANCE±0.05)

NOTES:
 Rated Current:3.0AMP
 Contact Resistance:20mΩ max
 Withstand Voltage:800V AC/DC
 Insulation Resistance:1000MΩ min
 Operation Temperature:-25°C to +85°C

Contact Material:Brass
 Contact plating:Au Or Sn Over Ni
 Insulator Material:PA66 Or PA46 UL94V-0



TITLE	PART NO.
TYPE 1	WF2501-WRXXX01
TYPE 2	WF2501-WRXXX02

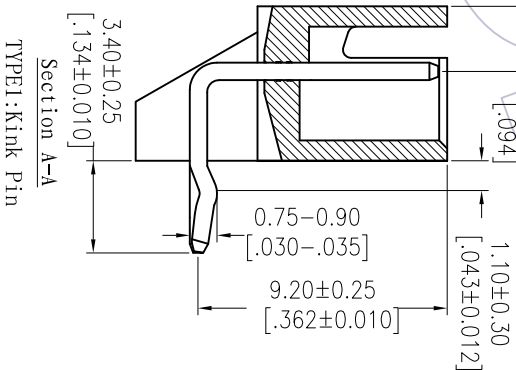
Specification & Ordering Information:

Circuit	Part No.	Dimension		
		A	B	C
02	WF2501-WR02X0X	2.50	6.1	7.4
03	WF2501-WR03X0X	5.00	8.6	9.9
04	WF2501-WR04X0X	7.50	11.1	12.4
05	WF2501-WR05X0X	10.00	13.6	14.9
06	WF2501-WR06X0X	12.50	16.1	17.4
07	WF2501-WR07X0X	15.00	18.6	19.9
08	WF2501-WR08X0X	17.50	21.1	22.4
09	WF2501-WR09X0X	20.00	23.6	24.9
10	WF2501-WR10X0X	22.50	26.1	27.4
11	WF2501-WR11X0X	25.00	28.6	29.9
12	WF2501-WR12X0X	27.50	31.1	32.4
13	WF2501-WR13X0X	30.00	33.6	34.9
14	WF2501-WR14X0X	32.50	36.1	37.4
15	WF2501-WR15X0X	35.00	38.6	39.9
16	WF2501-WR16X0X	37.50	41.1	42.4
20	WF2501-WR20X0X	47.50	51.1	52.4

Ordering Information

WF2501 - WR XX X 0 X X

No of pins: 02~16P
 Contact Plating: S=Gold Flash/Tin
 Color: B=Black, T=Natural, W=White
 Series No.: 1=Type 1, 2=Type 2
 Packing: F=Reel, P=PE Bag, T=Tube
 H=PA46
 Blank=PA66
 G0=Gold Flash
 G3=10u"Gold
 G4=15u"Gold
 G5=50u"Gold
 Blank=Fin



Section A-A
 TYPE1:Kink Pin

WCON

Http: www.wcon.com

WCON-Dongguan Tel: +86 769 85358920
 WCON-Kunshan Tel: +86 512 57468408
 Fx: +86 769 85358915 Fx: +86 512 57468468
 E-mail: sales@wcon.com E-mail: sales@wcon.com

REV	DATE	MODIFICATION DESCRIPTION	OPERATION	DRAW	DATE	SCALE	FIT	PART NO.
A1	2013/10/24	MODIFY THE PCB HOLE DIM	X.XX ±0.40	JHuang	2013/10/24	mm	1/1	SEE TAB
AO	2012/09/05	NEW	X.XXX ±0.25	CHECK		mm	A4	TITLE: TYPE 2.50 WAFER 90° DIP
			Angle ± 3°	APPROVE		SHEET 1/1		Customer NO.
			DIM TOL	CHANGE		PROJ.		